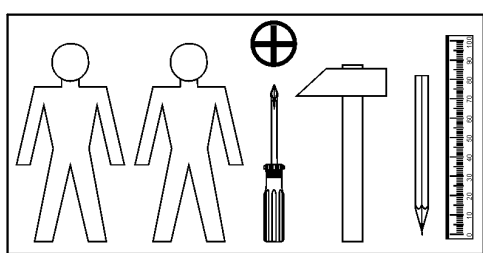
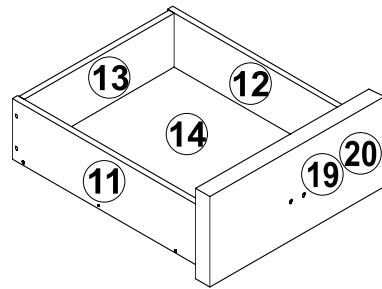
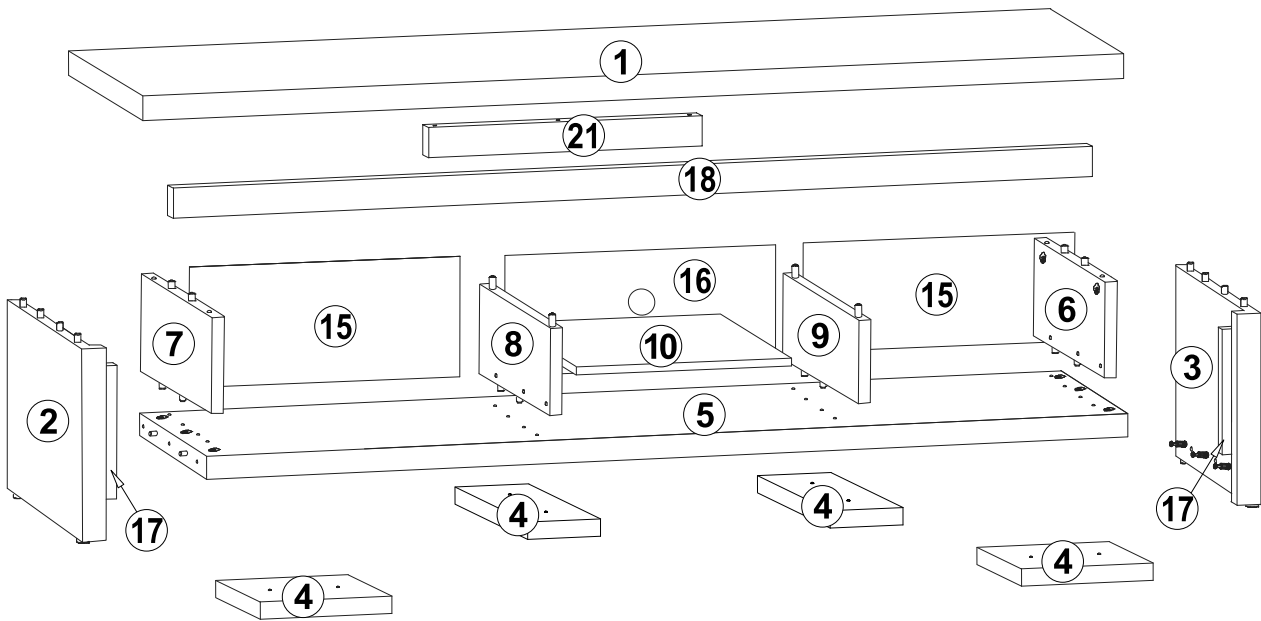
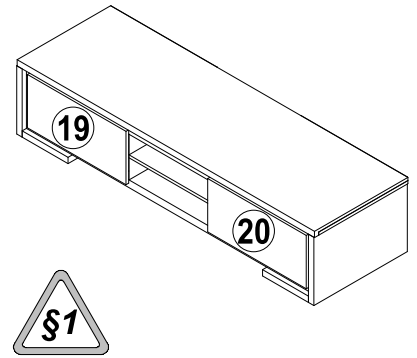


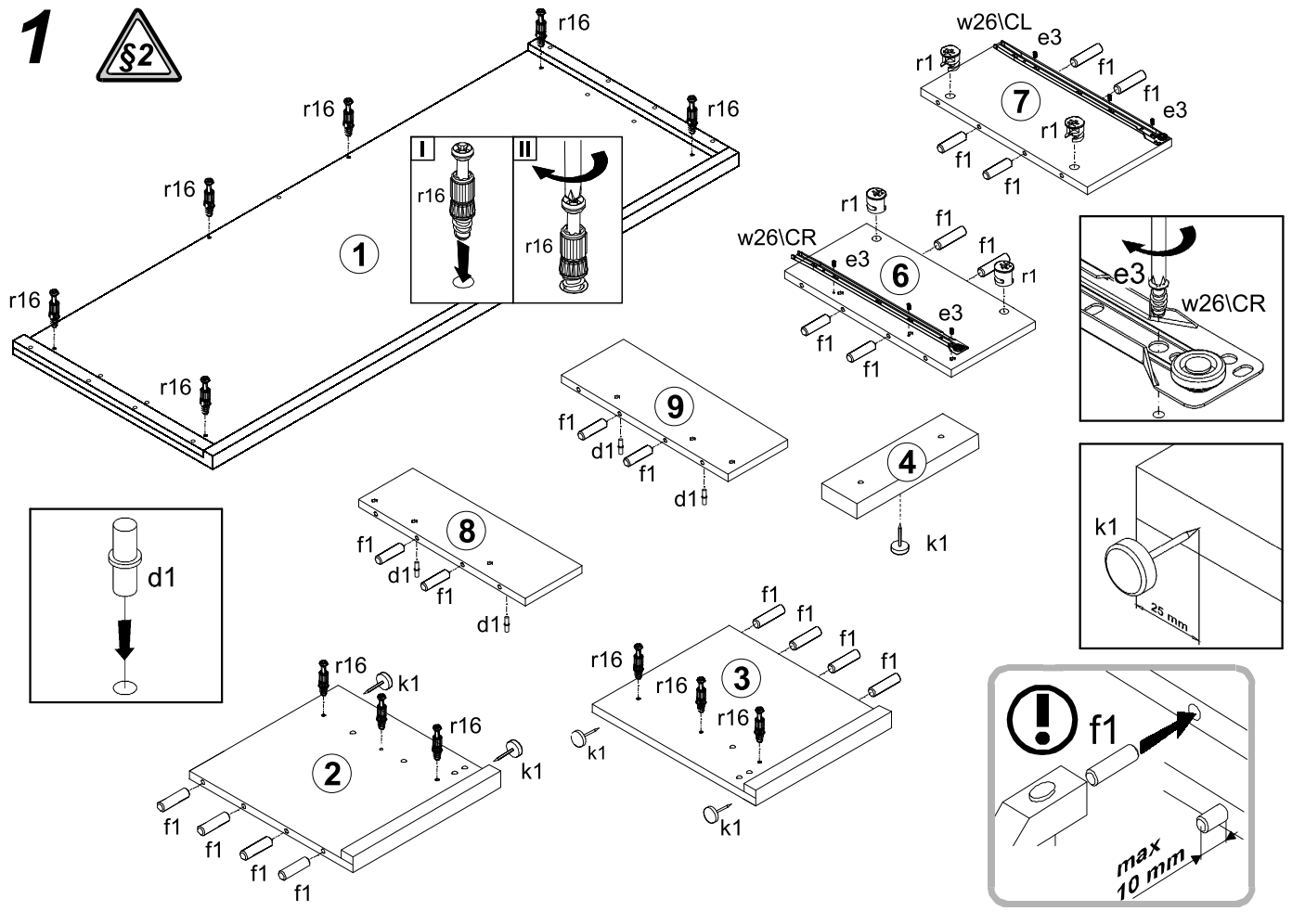
A	B	C	D	
1	NK1-209	1750	551	1/3
2	NK1-131	348	550	2/3
3	NK1-129	348	550	2/3
4	NK1-531	270	65	2/3
5	NK1-310	1717	525	1/3
6	NK1-133	304	509	2/3
7	NK1-134	304	509	2/3
8	NK1-136	260	525	1/3
9	NK1-135	260	525	1/3
10	NK1-318	476	450	1/3
11	NK1-523	500	140	2/3

A	B	C	D	
12	NK1-524	500	140	2/3
13	NK1-525	502	140	2/3
14	NK1-909	500	517	1/3
15	NK1-910	625	343	1/3
16	NK1-911	493	343	2/3
17	NK1-433	260	45	1/3
18	NK1-435	1689	41	1/3
19	NK1-013	580	272	3/3
20	NK1-014	580	272	3/3
21	NK1-438	510	44	2/3

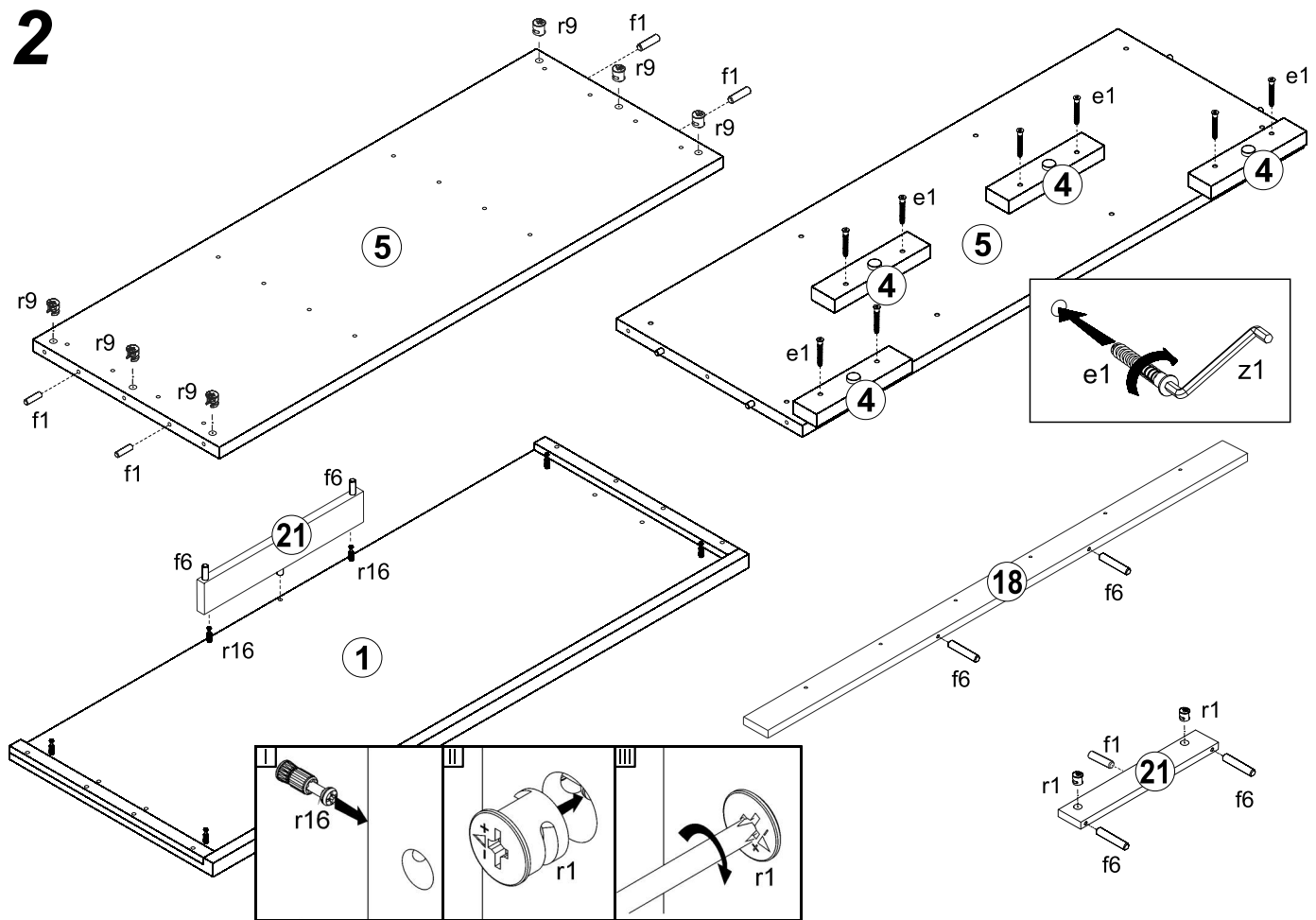


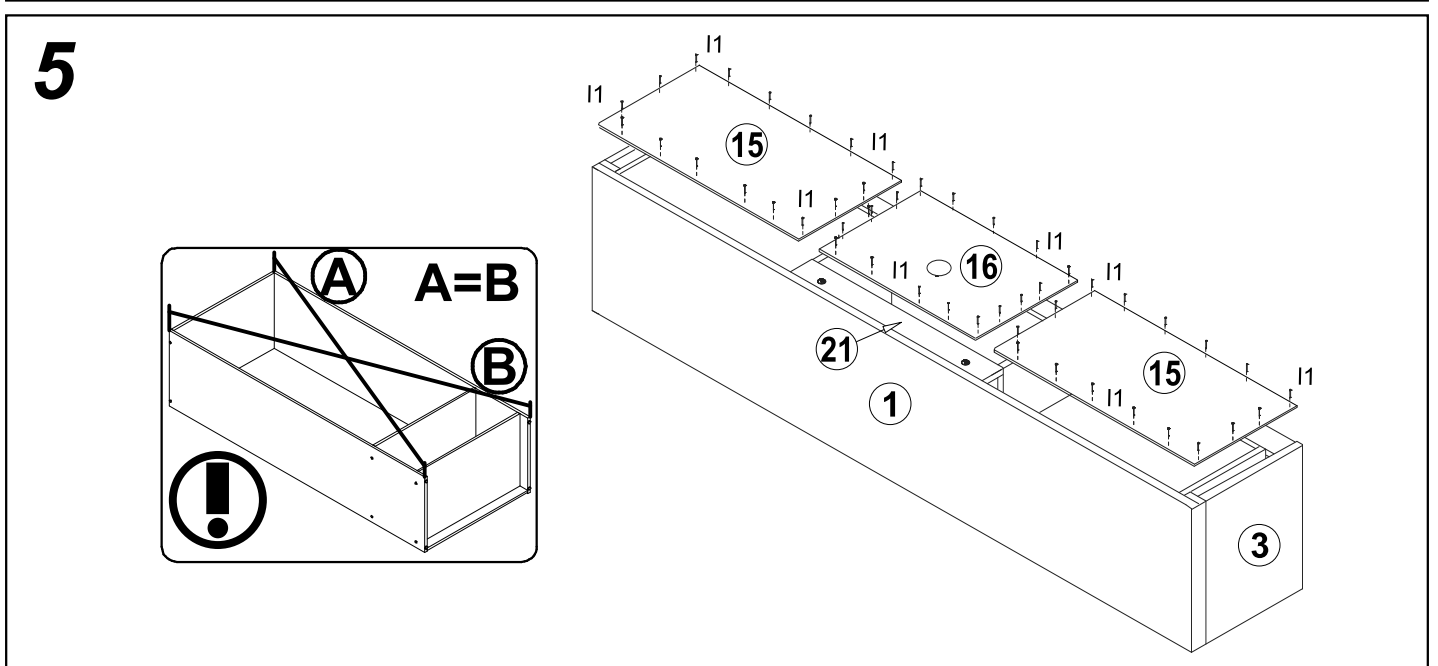
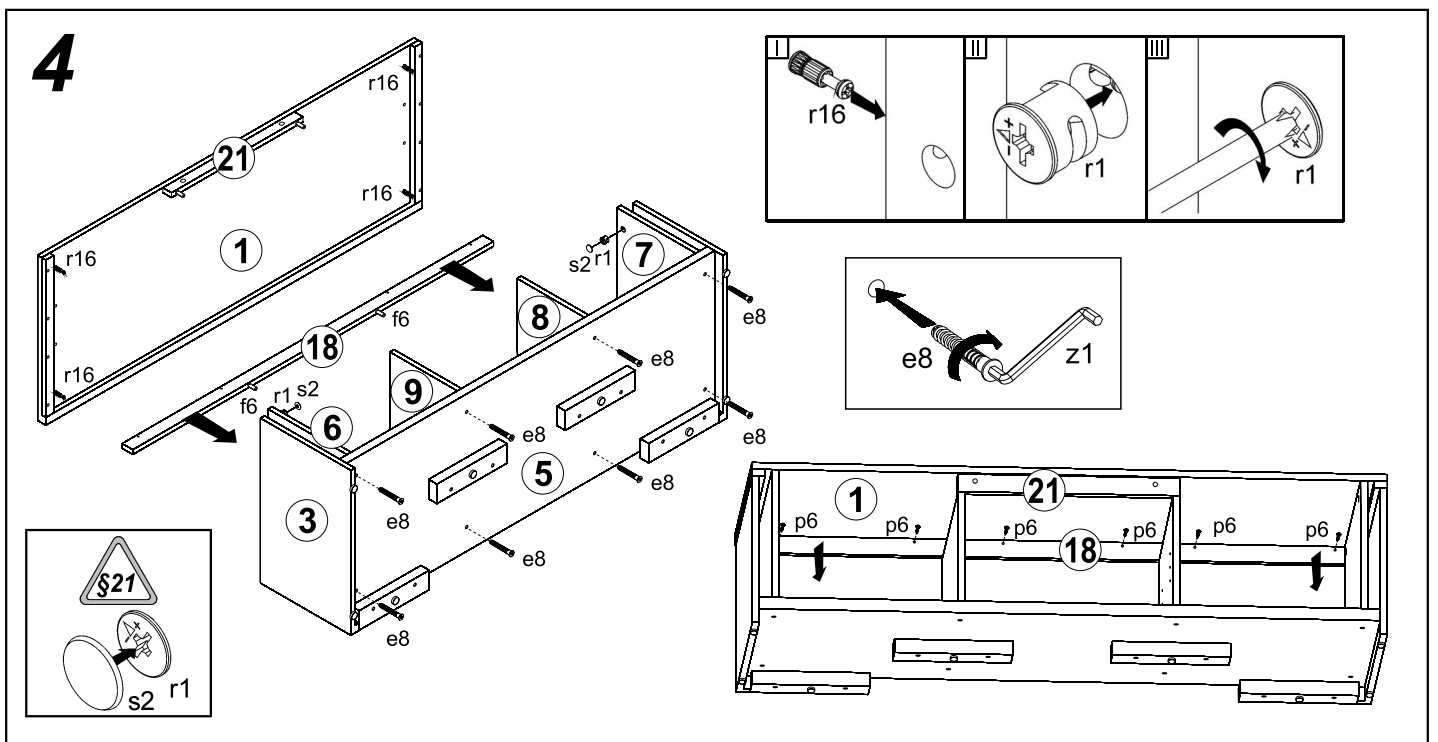
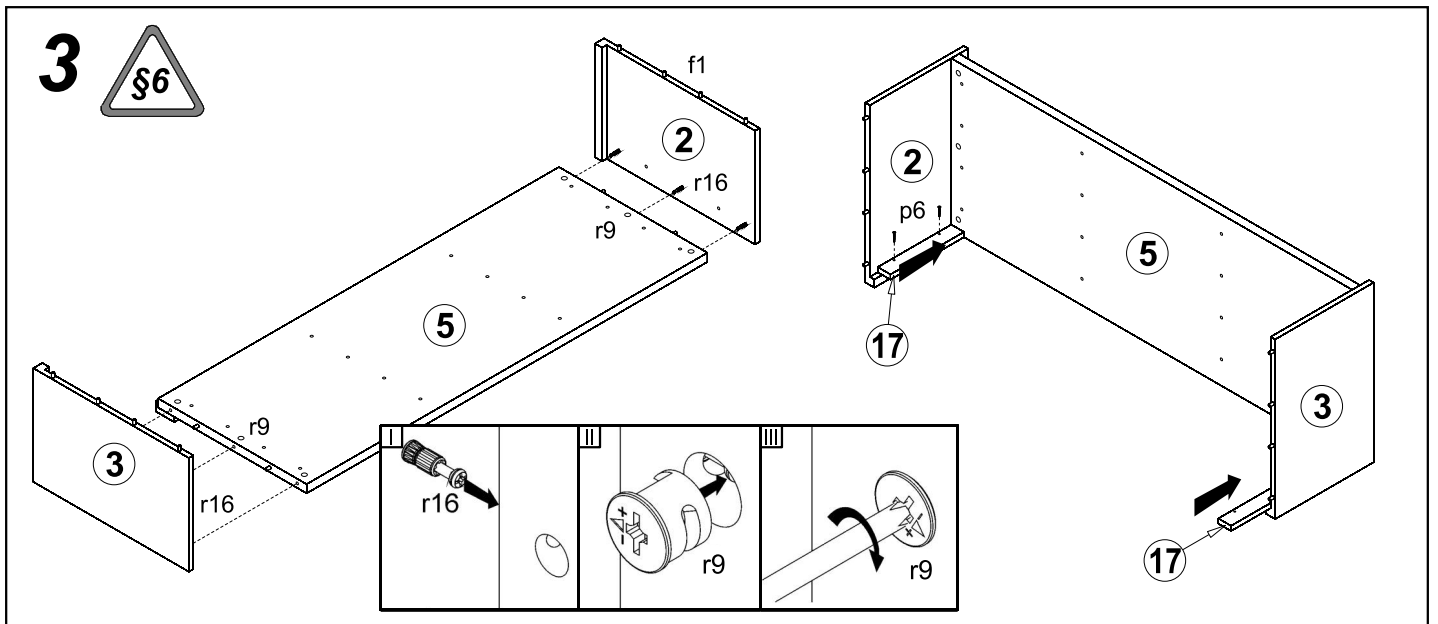
2x 160 mm <b>c212</b>	4x $\phi 5 \times 17$ mm <b>d1</b>	8x $\phi 7 \times 50$ mm <b>e1</b>	12x $\phi 6 \times 13$ mm <b>e3</b>	8x $\phi 7 \times 60$ mm <b>e8</b>	8x $\phi 5 \times 50$ mm <b>e32</b>	25x $\phi 8 \times 30$ mm <b>f1</b>
4x $\phi 8 \times 50$ mm <b>f6</b>	4x M4x25 mm <b>j8</b>	8x <b>k1</b>	55x <b>l1</b>	10x $\phi 4 \times 35$ mm <b>p6</b>	12x $\phi 3 \times 12$ mm <b>p54</b>	14x $\phi 15 \times 12$ mm #16 <b>r1</b>
6x $\phi 15 \times 12$ mm #28 <b>r9</b>	20x 20/9 <b>r16</b>	10x $\phi 16$ <b>s2</b>	2x 500 mm <b>w26<sup>DR</sup></b>	2x 500 mm <b>w26<sup>CR</sup></b>	2x 500 mm <b>w26<sup>DL</sup></b>	2x 500 mm <b>w26<sup>CL</sup></b>
1x <b>z1</b>						

# 1

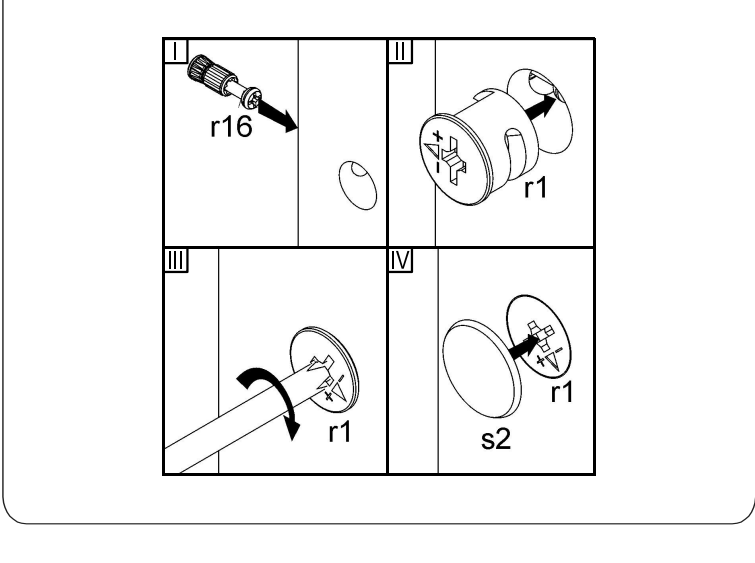
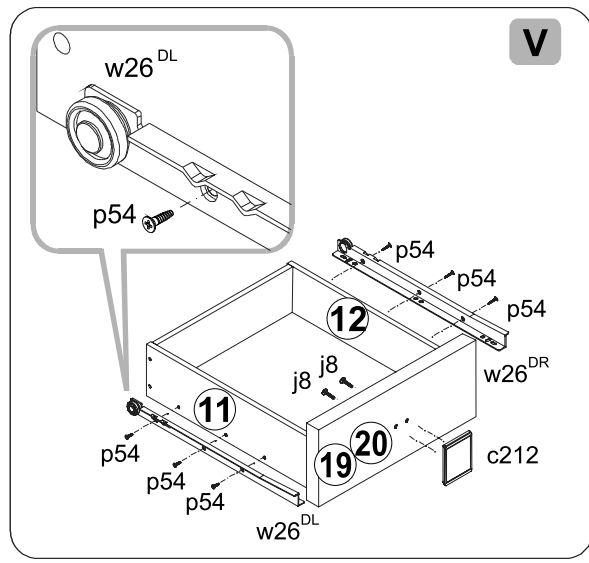
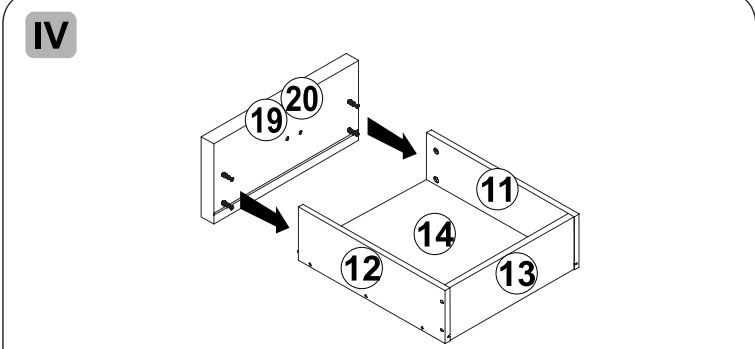
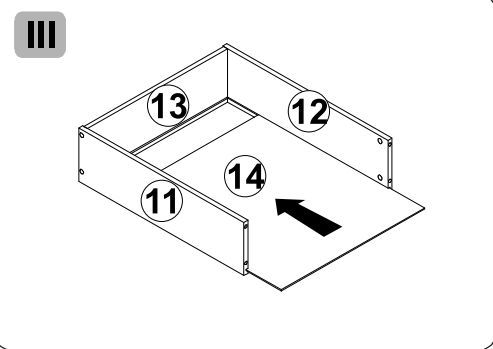
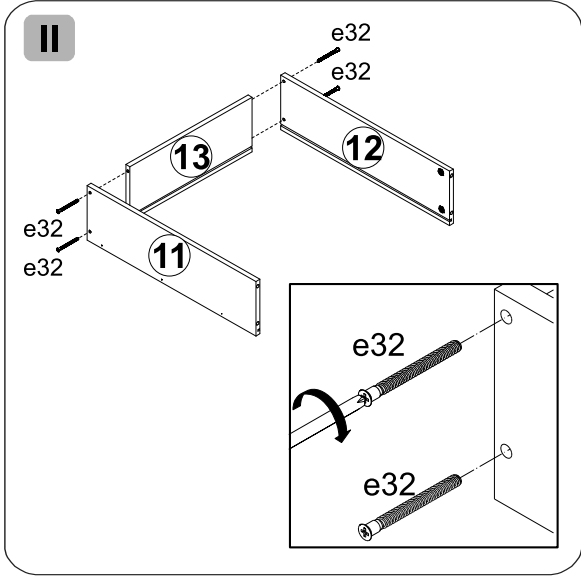
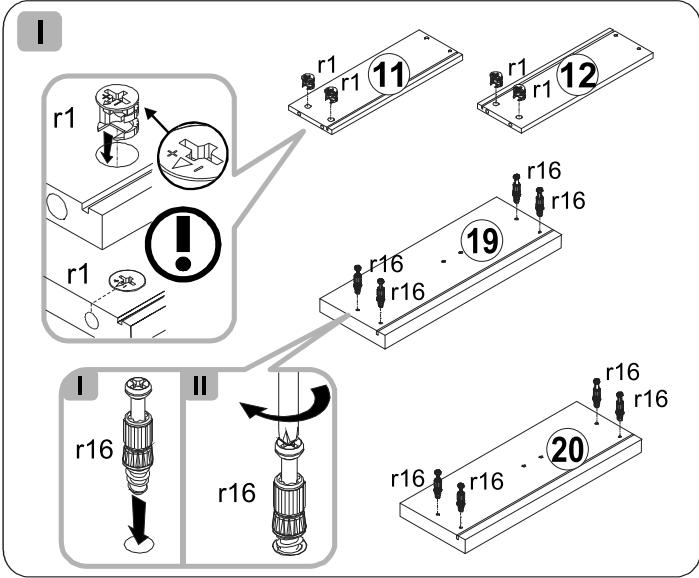


# 2





# 6



# 7

